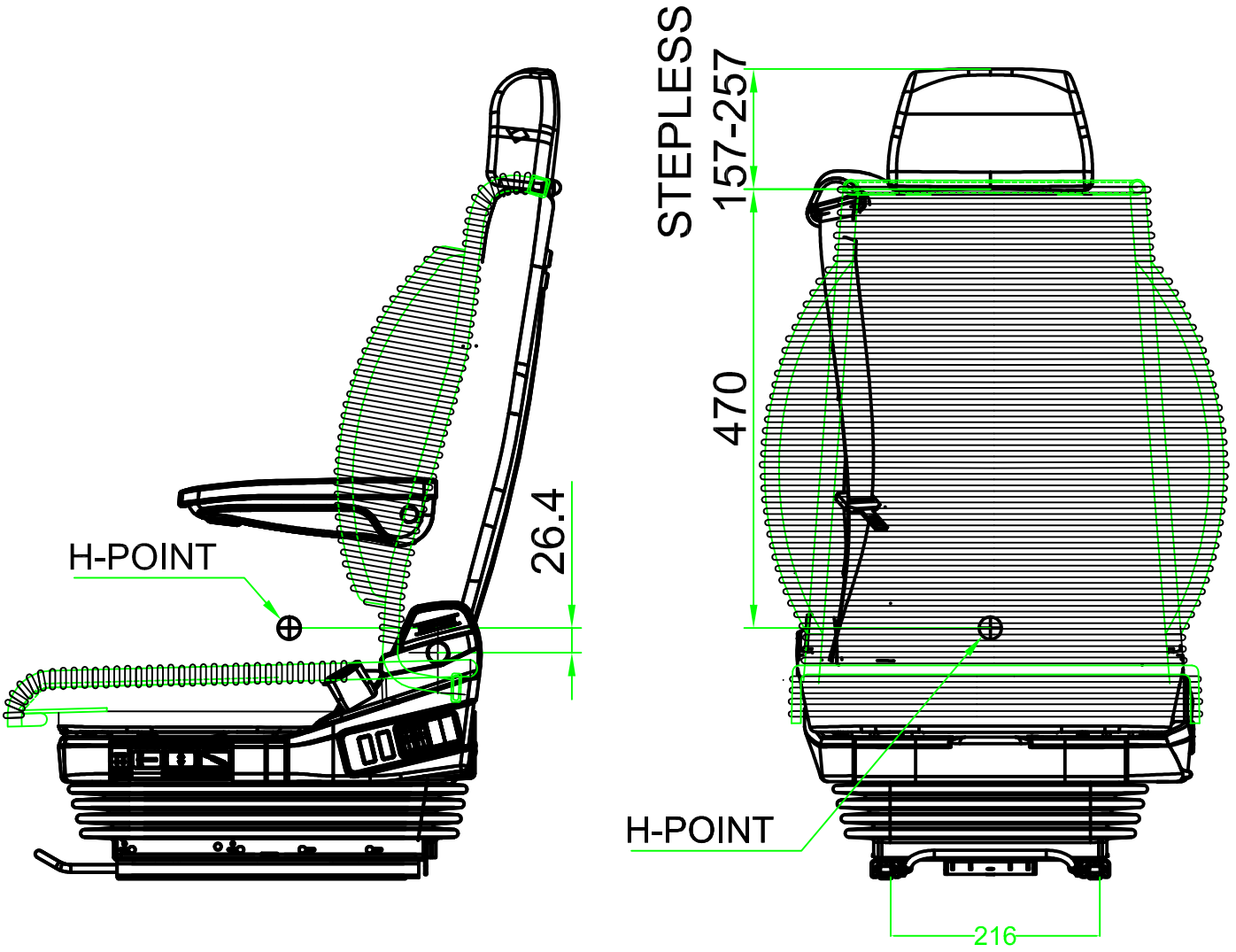
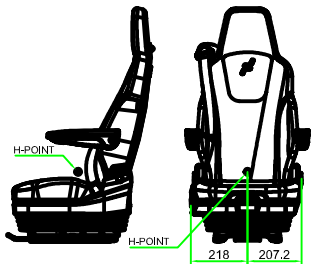




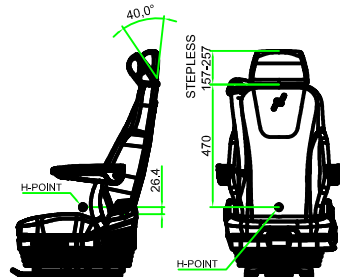
No	ÄM No
1	1044



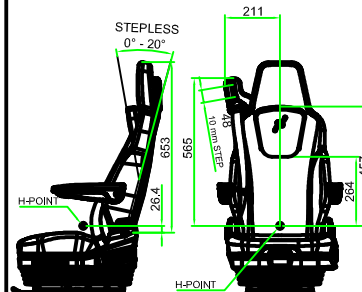
HE2632 left hand controls
summer backrest 640, Headrest 4-way, Armrests



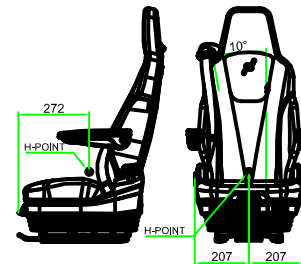
3120R Right hand controls
Armrests



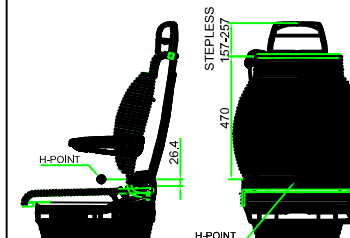
3120L Left hand controls
Backrest 640, Headrest 4-way, Armrests



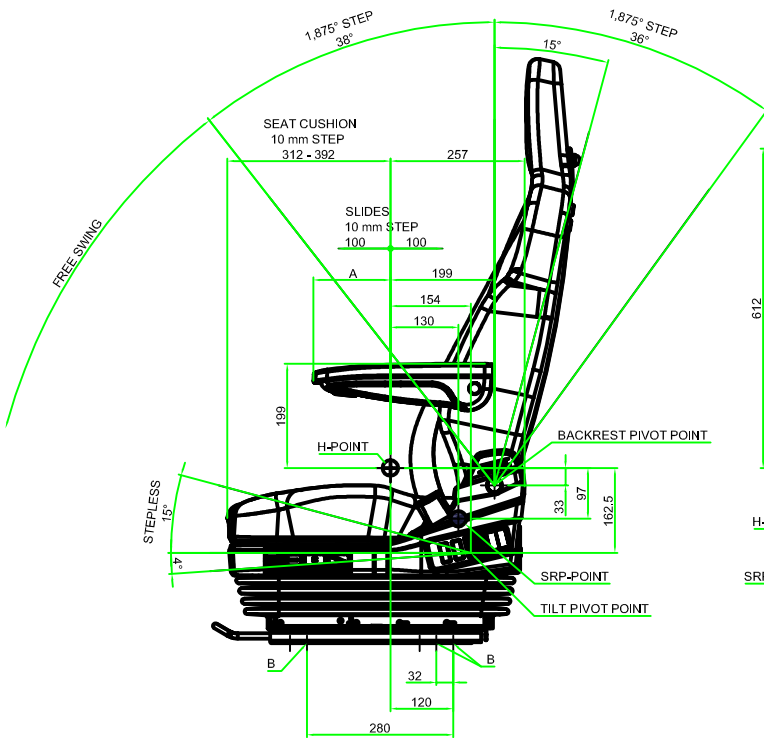
3120L Left hand controls
High backrest HBC, Shoulder support, Adjustable D-Ring, Armrests



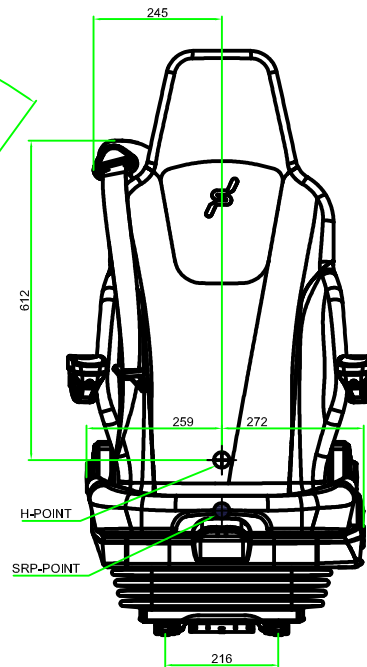
3120F Controls in front



HE2632 left hand controls
summer backrest 640, Headrest 4-way, Armrests

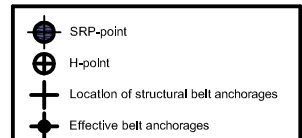
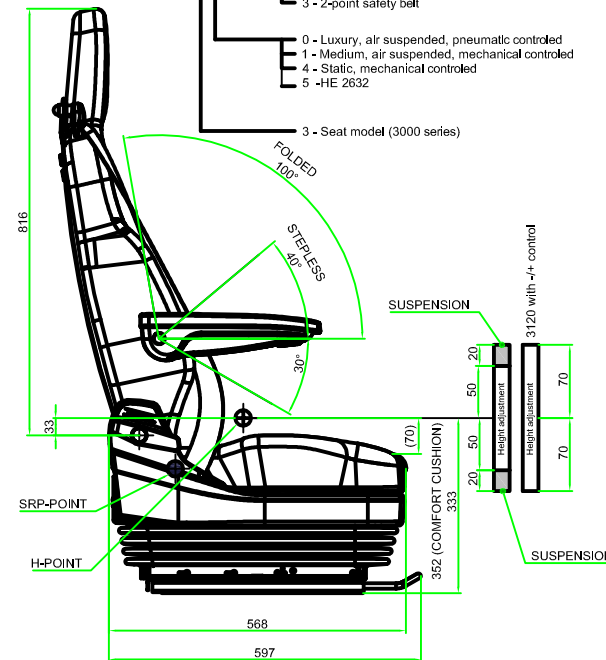
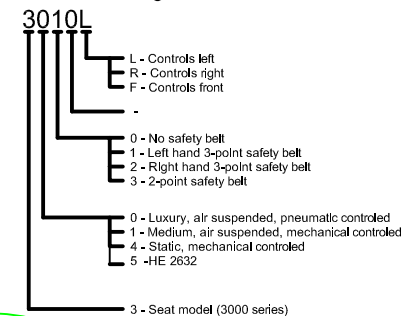


B - SEAT IS MOUNTED BY
6 PCS SCREW M8 8.8



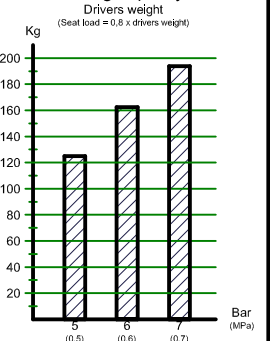
Drawing shows 3120L
Left hand controls
(Armrests optional)

Model range



Backrest angle 15° and tilt angle 0°
measured on manequin

Lifting capacity



Weight table (kg)

	3120		
Seat	36		
Adjustable D-ring	0,5		
Headrest	0,8		
Shoulder support	1		
Armrests FLEX	2,5		
Max total weight	40,8		

Armrest FLEX	A
Armrest FLEX short	185
Armrest RESTFLEX	113
	155

Unless otherwise specified		Item No	Quant	Name	Material	Alt. No	Note	
Dimensional tolerance	±0.5mm	Scale	1:1	HM	Approved	JJ	File 071015	
Measurement drawing							Weight (kg)	Format A1
3120L, 3120R, 3120F							Drawing No	3120